

KARMA WITH PUMP FEEDING SYSTEM



**Ref: 562856
(KARMAP)**

Soft serve machine, counter top, 4,5 + 2,3 litres capacity, 9kg/h, pump feeding system, refrigerant gas R452a

General Features

KARMA is the small-sized machine for the preparation of soft serve ice cream and frozen yogurt, perfect for those who want to target new market areas without investing in expensive and oversized equipment.

KARMA is designed to be positioned on the counter of a bar: elegant and eye-catching look with a stainless steel structure, glossy finish, LED-lit capacitive keyboard and compact dimensions.

KARMA with PUMP has a cooled upper tank of 4,5 litres capacity and 2,3 litres in the freezing cylinder, and can dispense up to 130 cones/h (75gr.).

Thanks to the PUMP feeding system, the equipment incorporates more air - high overrun - and therefore the dispensed ice cream more light and soft. Higher overrun means higher margins.

The hopper is cooled: the product cools down before reaching the freezing cylinder improving performance as the time to dispense soft serve ice cream and frozen yogurt is quicker.

Numerous technical improvements have been implemented on KARMA which increase the silence and aeration of the machine, and the functionality of the pump and of the dispensing lever.

KARMA WITH PUMP FEEDING SYSTEM

Specifications

- Defrost/night mode: to activate push on the key with the – symbol until all led lights are off. By this way temperature will settle at 0/+2°C and the product will remain fresh without getting stressed; turning on again the freezing system the product will be ready in a few minutes.
- Minimum level warning light.
- Pump feeding system.
- 3 different consistency levels.
- Small-sized countertop soft serve ice cream machine. Perfect to dispense soft serve ice cream and frozen yogurt.
- It dispenses up to 130 cones/h (75gr cones).

Construction

- The hopper is cooled, so that the time to prepare and dispense soft ice cream and frozen yogurt is quicker.
- Capacity: 4,5 litres of product in the upper tank and 2,3 litres in the freezing cylinder.
- Pump feeding system for a higher overrun.

KARMA WITH PUMP FEEDING SYSTEM

Electric

| | |
|------------------------|--------------------------|
| Supply voltage: | 220-240 V / 1 ph / 50 Hz |
| Electrical power max.: | 1.15 kW |
| Current consumption: | 5.5 Amps |
| Plug type: | CE-SCHUKO |

Key Information:

| | |
|---------------------|------------|
| Number of bowls: | 1 |
| Bowl's capacity: | 6.8 lt |
| Control board: | Electronic |
| Dimensions, Width: | 357 mm |
| Dimensions, Depth: | 521 mm |
| Dimensions, Height: | 647 mm |
| Net weight: | 75 kg |

Refrigeration Data

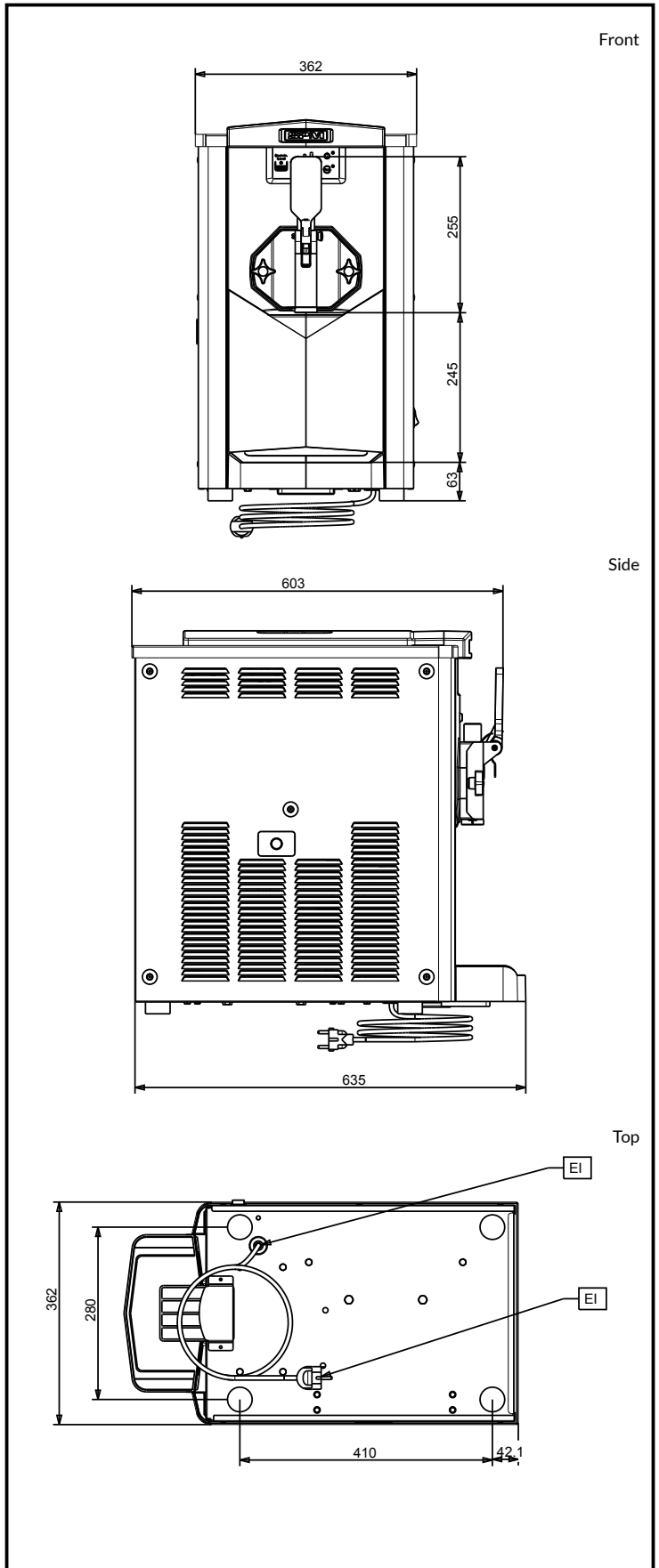
| | |
|------------------|-------|
| Refrigerant gas: | R452A |
|------------------|-------|

Certifications



The company reserves the right to make modifications to the products without prior notice. All information correct at time of printing.

2024.10.09



CRATHCO

www.crathco.drink-systems.com
infocrathco@electroluxprofessional.com